



GROUPE GARONNE
FRENCH QUARRY MATERIAL CONSTRUCTOR AND
MANUFACTURER

TECHNICAL DATA

GC 5030

JAW CRUSHER

Garonne
by Groupe Garonne



The Garonne Crusher GC5030 is the most compact among all Garonne mobile jaw crusher. The Garonne GC5030 is the ideal solution for all construction industries and entrepreneurs wishing to recycle their construction and demolition waste. Equipped with tracks and remote-controlled, this jaw crusher allow to reuse directly the crushed material, lowering transport costs.

FEATURES

Lenght	4 540 mm
Width	1 500 mm
Height	1 960 mm
Weight	3 400 Kg

JAW CRUSHER

Jaw size	480 x 250 mm
Tuning	Hydraulic
Granulometry	20 – 80 mm

FEEDER

Grizzly feeder with hopper	
Lenght	1 780 mm
Width	1 280 mm
Hopper capacity	0,6m ³
Feeder hight	1 900 mm

COLLECTION CONVEYOR

Lenght	2 500 mm
Width	400 mm
Feeder height	1 100 mm

GROUPE GARONNE

605 chemin de Bordegrosse - Z.A. de Bordegrosse - 31220 MONDAVEZAN, FRANCE

0 806 802 202 Service gratuit
* prix appel – Mail gcc@groupegaronne.fr – Site www.groupegaronne.fr

Siret 88377828400017 RCS Toulouse – Code NAF 8211Z



MOTOR

Motor Diesel

Stage V : 18,5kW / 25Hp

Tier 4Final : 18,5kW / 25Hp

Stage 3A : 21,5kW / 28Hp

Consumption

5,5 L/h

Water cooling

TRACKS

Length

2 100 mm

Width

300 mm

FOR FURTHER CHARACTERISTICS

Remote control

Feeder belt

Fines belt

*All above specifications listed, given by the constructor are current as of this printing,
but are subject to change.*

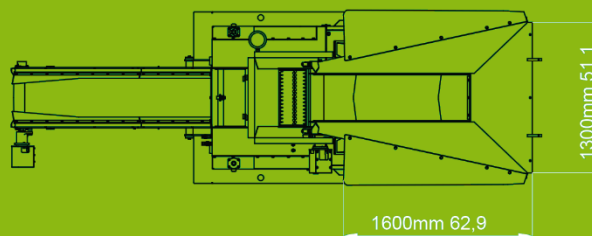
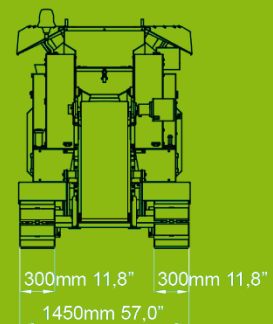
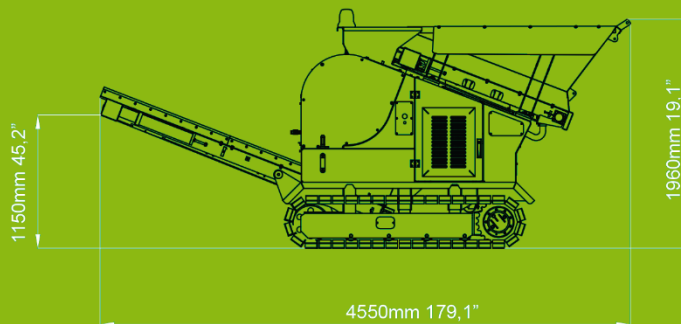
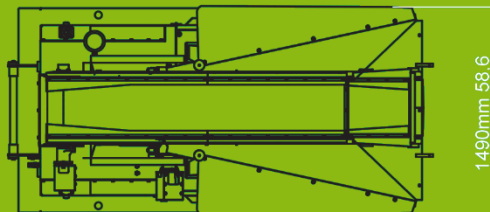
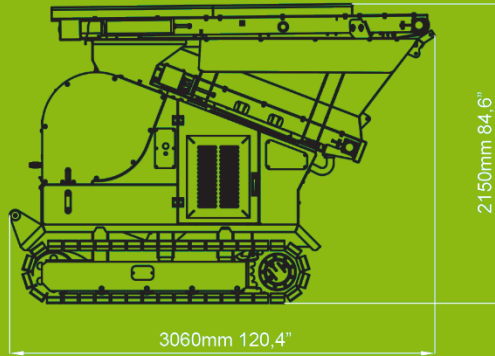
GROUPE GARONNE

605 chemin de Bordegrosse - Z.A. de Bordegrosse - 31220 MONDAVEZAN, FRANCE

0 806 802 202 Service gratuit
* prix appel

– Mail gcc@groupegaronne.fr – Site www.groupegaronne.fr

Siret 88377828400017 RCS Toulouse – Code NAF 8211Z



GRUPE GARONNE

605 chemin de Bordegrosse - Z.A. de Bordegrosse - 31220 MONDAVEZAN, FRANCE

0 806 802 202 Service gratuit
* prix appel – Mail gcc@groupegaronne.fr – Site www.groupegaronne.fr

Siret 88377828400017 RCS Toulouse – Code NAF 8211Z